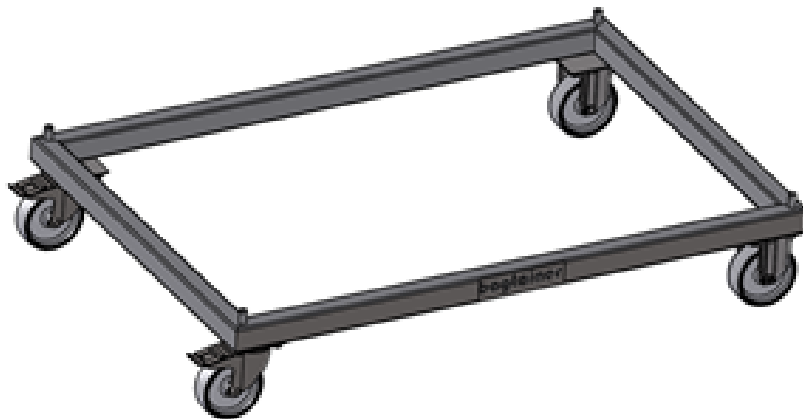




## Fahrrahmen für Edelstahlbehälter von bagtainer

Dollies for stainless-steel containers by bagtainer



01-05001-00 Standard – Fahrrahmen für 500L bagtainer/dolly light duty for bagtainer 500L bagtainer

Fahrrahmen für 500L bagtainer	Dolly for 500L bagtainer
2 Schwenkrollen, 2 Bockrollen	2 swivel castors, 2 fixed castors
1205x800x235 mm (LxBxH)	1205x800x235 mm (wxdxh)
Gewicht 15 kg	Weight 15 kg
Material: Edelstahl 1.4307 (304L)	Material: stainless steel 1.4307 (304L)
Made in Germany	Made in Germany